



FPV

30W AND 60W FLAT PANEL VEG LED LIGHTS

FPV14-A

1'X4' 30W FLAT PANEL VEG LED



FPV24-A

2'X4' 60W FLAT PANEL VEG LED

FEATURES

- 30W or 60W Full-spectrum LED options
- Low-profile design ideal for vertical grows
- Full-spectrum white LEDs outperform T5 fluorescents
- UV-stabilized PMMA optical lens efficiently delivers light to the plant canopy
- 1-10V Dimming
- cETL Listed for Damp Locations

BIGGER ROOTS



FOLLOW US @



@growlite



/growliteinc/



@growliteog



/company/growlite-inc-



growlite channel

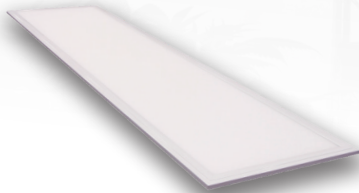
GROWLITE.COM

VERSATILE | ENERGY-EFFICIENT | ULTRA-THIN

Ultra-thin, energy-efficient LED lighting offers incredible performance for clone racks and small veg rooms. Available in two different dimensions, the **FPV's** versatility will outperform more light-intensive fixtures.

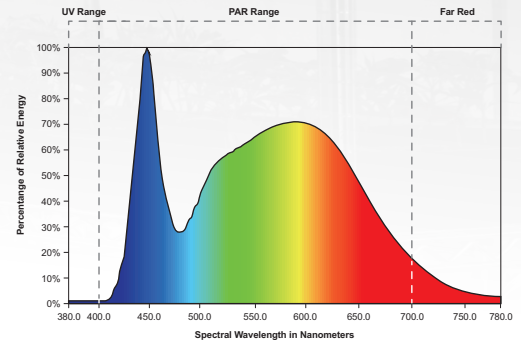
FPV14-A

SKU FPV14-A



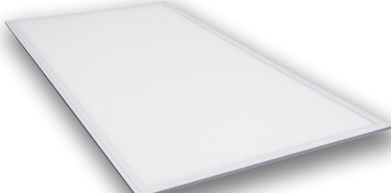
1'X4' 30W FLAT PANEL VEG LED

- Low profile ideal for vertical grows
- Soft and uniform light distribution, 120° beam
- Full-spectrum white LEDs outperform T5 fluorescents
- UV-stabilized PMMA optical lens efficiently delivers light to the plant canopy
- 1-10V Dimming
- 120VAC Line cord with plug (10' length)
- 120-277VAC Input
- Available cable mounting kit (LPA-CMK) - Consult Factory
- cETL Listed for Damp Locations
- Five Year Warranty (Terms and Conditions Apply)



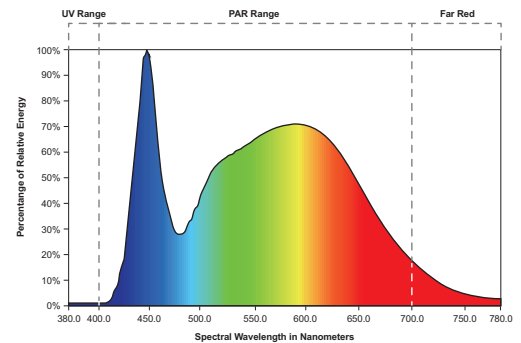
FPV24-A

SKU FPV24-A



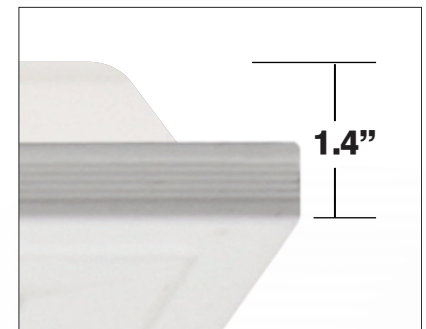
2'X4' 60W FLAT PANEL VEG LED

- Low profile ideal for vertical grows
- Soft and uniform light distribution, 120° beam
- Full-spectrum white LEDs outperform T5 fluorescents
- UV-stabilized PMMA optical lens efficiently delivers light to the plant canopy
- 1-10V Dimming
- 120VAC Line cord with plug (10' length)
- 120-277VAC Input
- Available cable mounting kit (LPA-CMK) - Consult Factory
- cETL Listed for Damp Locations
- Five Year Warranty (Terms and Conditions Apply)



ORDERING INFORMATION

System/Configuration	Description
FPV14-A	30W 1'X4' Flat Panel Veg LED
FPV24-A	60W 2'X4' Flat Panel Veg LED



Ultra-thin, low-profile

Specifications are subject to change without notice. Installation must be performed in accordance with Barron Lighting Group installation instructions.

10840422 12/20



7885 North Glen Harbor Blvd
Glendale, Arizona 85307
800.533.3948
growlite.com