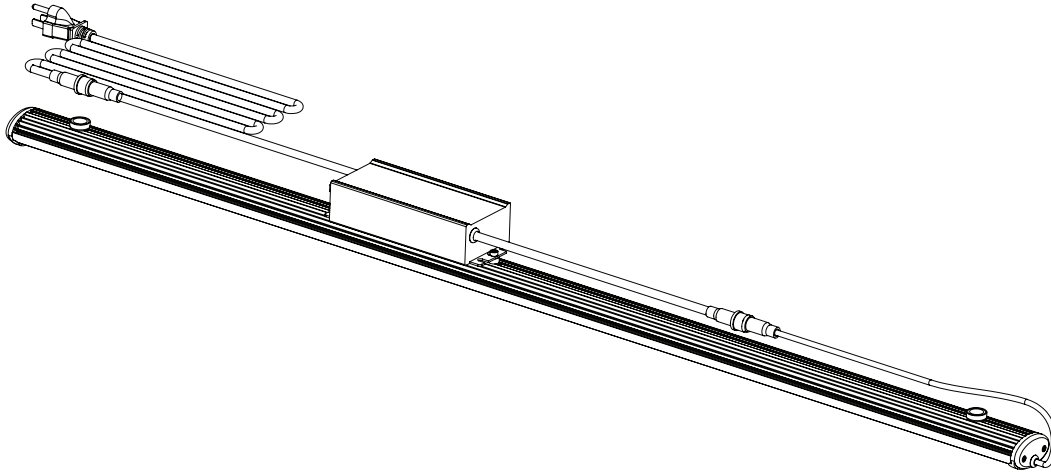


Varius AG Bar

Installation Instructions



IMPORTANT SAFEGUARDS READ AND FOLLOW ALL SAFETY INSTRUCTIONS.

When using electrical equipment, basic safety precautions should always be followed including the following:

- **DISCONNECT AC POWER SUPPLY BEFORE SERVICING.**
- Installation and servicing of this equipment should be performed by qualified service personnel only.
- Ensure that the electrical wiring conforms to the National Electrical Code NEC® and local regulations if applicable.
- Do not mount near gas or electrical heaters.
- Equipment should be mounted in locations and at heights where it will not be readily subjected to tampering by unauthorized personnel.
- The use of accessory equipment not recommended by the manufacturer may cause an unsafe condition.
- Any modification or use of non-original components will void the warranty and product liability.
- Do not use this equipment for other than intended use.
- Do not exceed the maximum voltage of 277V.
- Under normal operating conditions, may become hot.
- Keep fixture away from all flammable material.

SAVE THESE INSTRUCTIONS!

Technical Support ■ (623) 580-8943 ■ technicalsupport@barronltg.com

Varius AG Bar

Installation Instructions



Specifications

Typical Operating Voltage		120-277VAC	
Typical Power Consumption		90Watts	
Operating Frequency		50/60Hz	
Power Factor		>0.98	
Operating Temperature		-20° to +40°C	
Dimensions (L*W* H)		44.5"x2.2"x0.9"	
Net Weight (Driver Include)		2.35kg/5.2lbs	
<p>*Specifications based on performance at 120VAC with tested sample.</p> <p>Subject to change without notice, tolerance at ±5%</p>			

Varius AG Bar

Installation Instructions



Environmental

The Varius AG Bar is rated for damp or dry environments. Do not install in wet environments where water can come in direct contact with the fixture. If the fixture is exposed to water spray, it must be disconnected from power until it's completely dry.

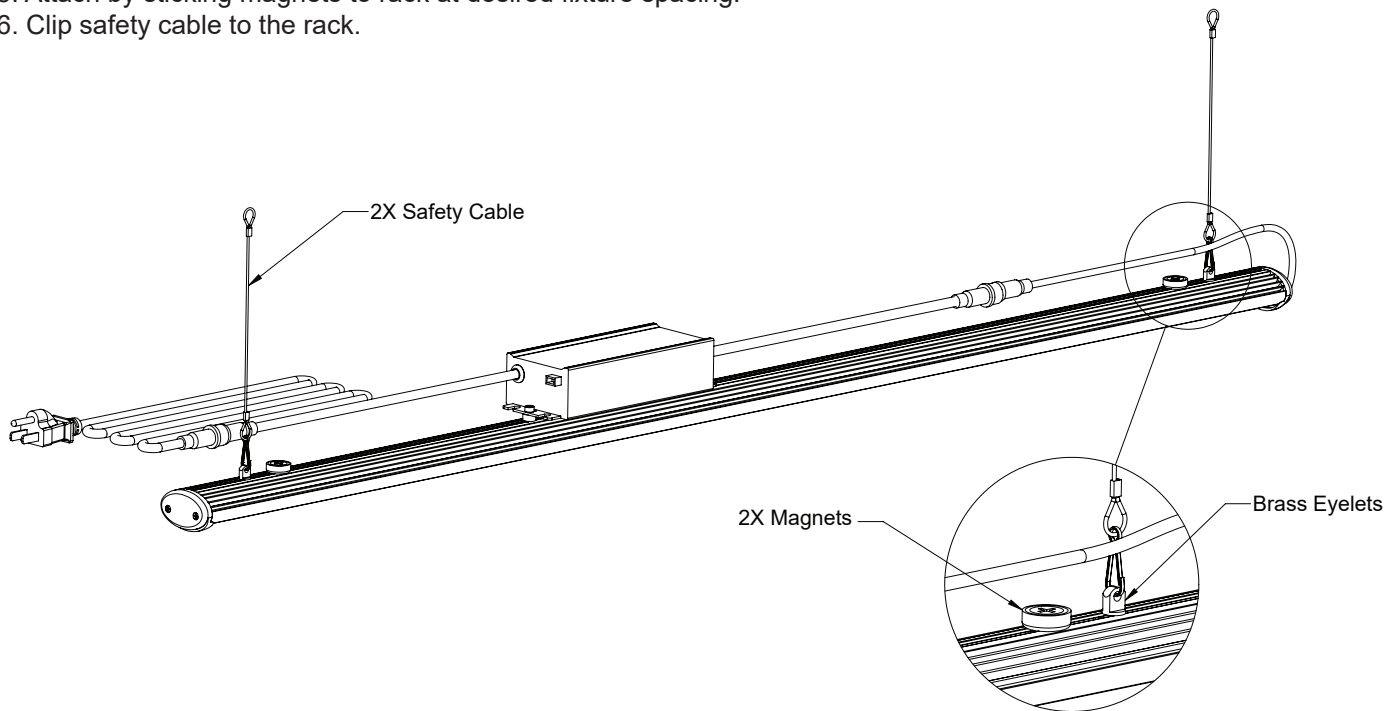
The maximum ambient temperature must not exceed 40°C. To achieve optimal performance and a longer lifespan, the AG bar should be mounted in the path of direct air flow in the growing area. The fixture can also operate without air flow, however the over-temperature system may automatically reduce the power in order to preserve the lifespan of the components.

Mounting

Prepare fixture for desired mounting method. Follow the steps outlined in **Magnet Mount**, **Cable Suspension Mount** or the optional **Frame Kit**.

Magnet Mount

1. Measure the distance between frame members on the rack system.
2. Loosen magnets by turning center screw counterclockwise, do not remove.
3. Slide magnets along the channel in the extrusion to the distance measured.
4. Retighten magnets by turning screw clockwise.
5. Attach by sticking magnets to rack at desired fixture spacing.
6. Clip safety cable to the rack.



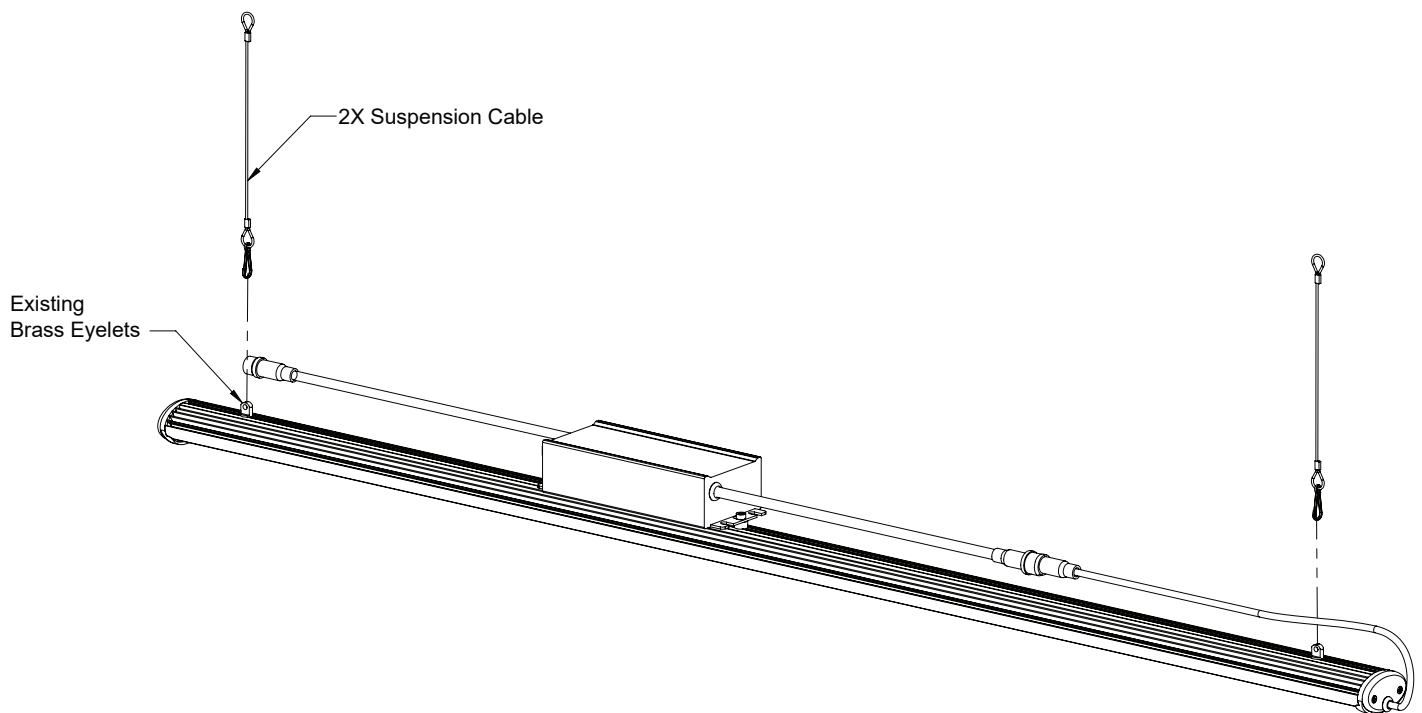
Warning: Neodymium magnets are very powerful and can attract ferrous metal from a distance.

Varius AG Bar

Installation Instructions

Cable Suspension Mount

1. Measure the distance between frame members on the rack system.
2. Remove the magnets by turning the screw counterclockwise (optional).
3. Loosen brass eyelets by turning them counterclockwise.
4. Slide each eyelet along the channel in the extrusion to the spacing required.
5. Retighten the eyelets by turning clockwise.
6. Clip the supplied suspension cables into the brass eyelets on the fixture.
7. Clip suspension cable to suitable support.



Varius AG Bar

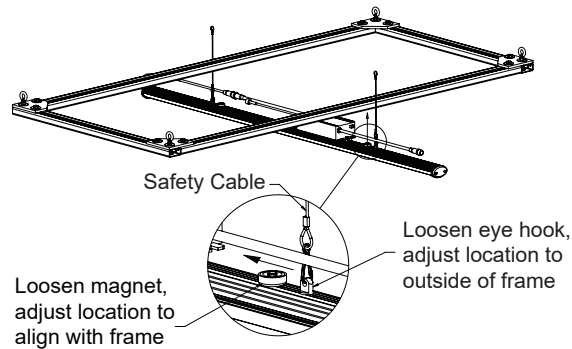
Installation Instructions



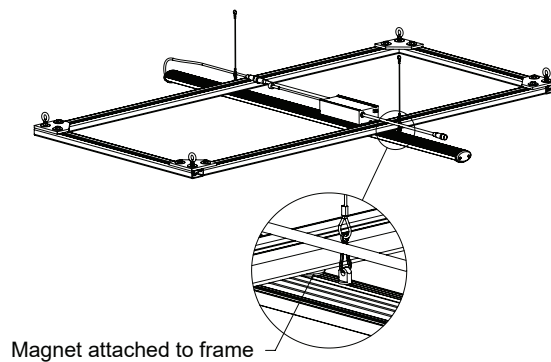
Mounting to the Frame Kit - Growlite part # AG-Frame

1. Follow the instructions included with the AG-Frame kit for proper assembly.
2. Suspend frame with suitable mounting using the 4 eye bolts located on each corner of the frame.
(Weight of the frame and 8 bars is ~60 Lbs)
3. Attach the Varius AG Bar (up to 8 per frame) using the following instructions below.

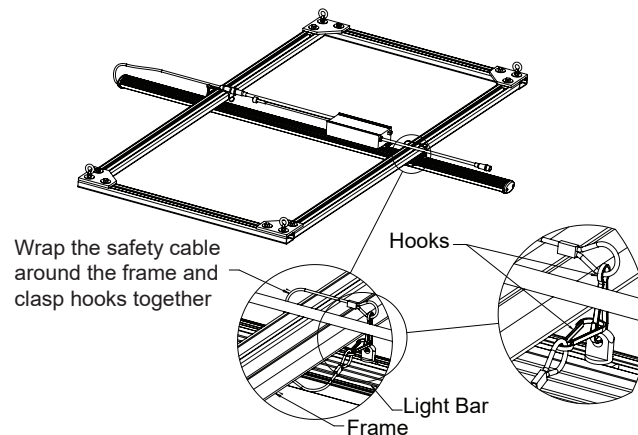
Adjust magnets on the bar centered to 22 3/8" apart to align with the frame.



Attach the Varius AG Bar's magnets to the frame at the desired spacing. Every 6" for even spacing of 8 bars.



Loop the safety cable around the frame and clip it back onto itself to prevent the AG Bar from falling if the magnets detach.

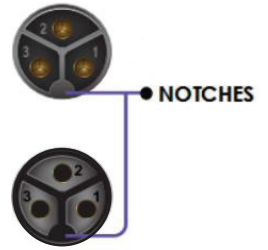


Varius AG Bar

Installation Instructions

Input power connection

1. Use supplied 120VAC, 3-prong plug and cord to connect the female connector on the power cord directly to the male connector on the driver AC input.
2. Align notches on the power cable and connector and push together until it is fully seated.
3. Secure by rotating threaded watertight sleeve clockwise.
4. You are now ready to plug the cord into an electrical outlet of appropriate type and rating.



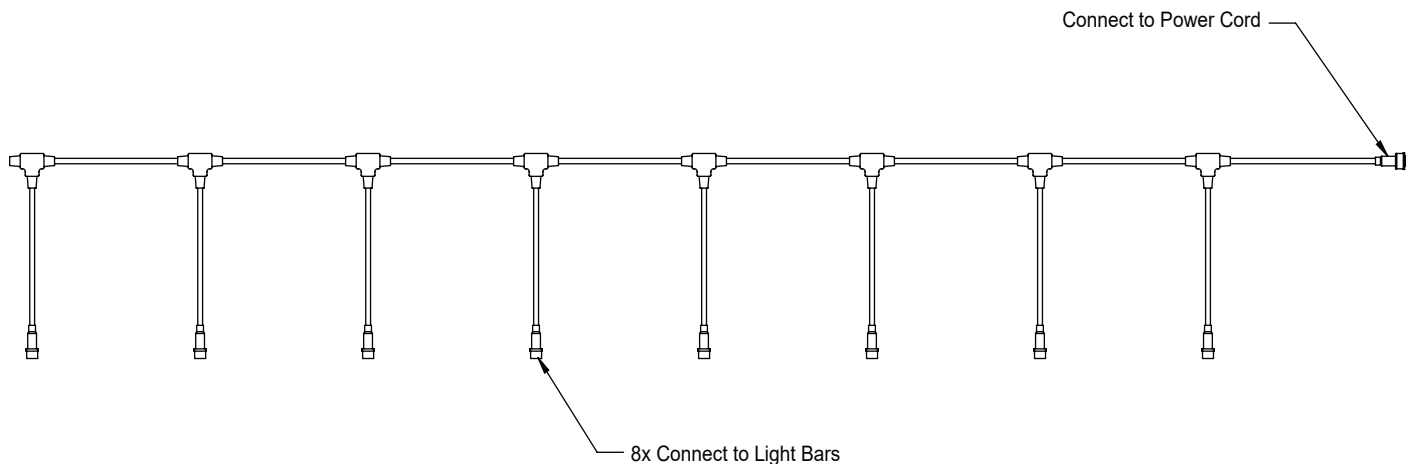
For other voltages,

- 240VAC use Growlite part number AG-240-LC (240VAC), 3-prong plug (optional).
- 277VAC use Growlite part number AG-277-L-LC (277VAC), 3-prong plug (optional).

Daisy chain power cord option. (Growlite part number AG-8-H)

To reduce the number of outlets and cabling needed in multi-bar installations we offer a power harness that will daisy chain 8 lights together off a single AC outlet.

1. Connect the female connector of the supplied power cord to the male connector on a daisy chain cord.
2. Align notches on the power cable and connector and push together until it is fully seated.
3. Once ends are fully seated, secure with threaded watertight sleeve.
4. Connect one of the 8 female daisy cable connectors to the male connector on the driver's AC input.
5. After ends are fully seated, secure with threaded watertight sleeve.
6. Be sure to leave caps on any unused daisy chain connectors for electrical safety.

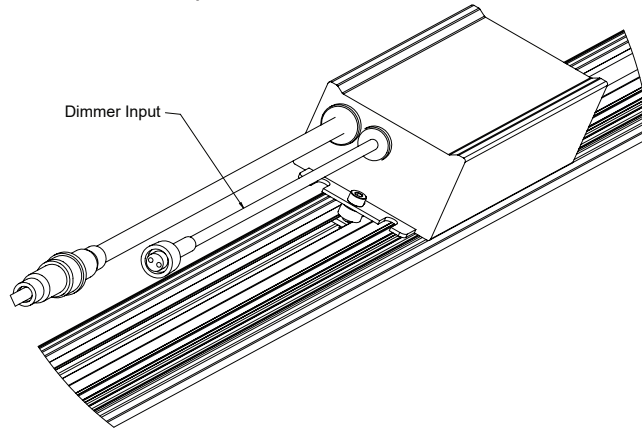


Varius AG Bar

Installation Instructions

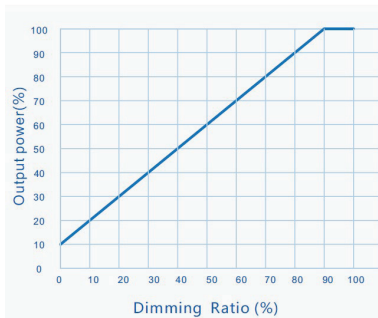
Dimming

Every unit has a 2 wire input connector on the power supply for dimming via resistive, 10Vpwm, or 1 to 10V DC. The dimming range is 10% to 100% of rated output.



Contact your salesperson for help integrating into your current system, or to discuss the compatibility of options available in the marketplace. We also offer an optional dimming daisy chain harness that will allow the control of up to 8 fixtures, (Growlite part # AG-8-DIM-H).

Output Power Vs. Dimming



Parameter	Min.	Typ.	Max.
1-10V Dimming (Optional)	Dim Vmax	0V	12V
	Dim Range	10%Iomax	100%Ioset
	Rec.Dim Range	1V	10V
PWM Dimming (Optional)	PWM High	9.8V	10.2V
	PWM Low	0V	0.3V
	Frequency	1KHz	2KHz
	PWM Duty	10%	100%
Resistor Dimming (Optional)	Resistance	10Kohm	100Kohm
	Dim Range	10%Iomax	100%Ioset

WARNING! Under no circumstances should the user attempt to adjust the screw under the blue cap on the power supply. This is factory set to optimize the power through the LEDs. Changing the position of this screw will cause permanent damage to the light bar and void the warranty.

