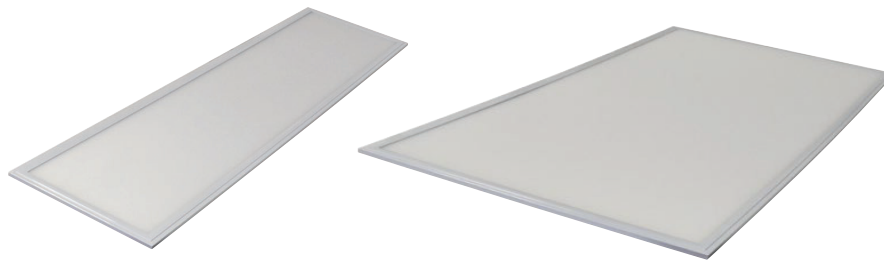


### IMPORTANT SAFEGUARDS READ AND FOLLOW ALL SAFETY INSTRUCTIONS.

When using electrical equipment, basic safety precautions should always be followed including the following:

- **DISCONNECT AC POWER SUPPLY BEFORE SERVICING.**
- Installation and servicing of this equipment should be performed by qualified service personnel only.
- Ensure that the electrical wiring conforms to the National Electrical Code NEC® and local regulations if applicable.
- Do not mount near gas or electrical heaters.
- Equipment should be mounted in locations and at heights where it will not be readily subjected to tampering by unauthorized personnel.
- The use of accessory equipment not recommended by the manufacturer may cause an unsafe condition.
- Any modification or use of non-original components will void the warranty and product liability.
- Do not use this equipment for other than intended use.

### SAVE THESE INSTRUCTIONS!

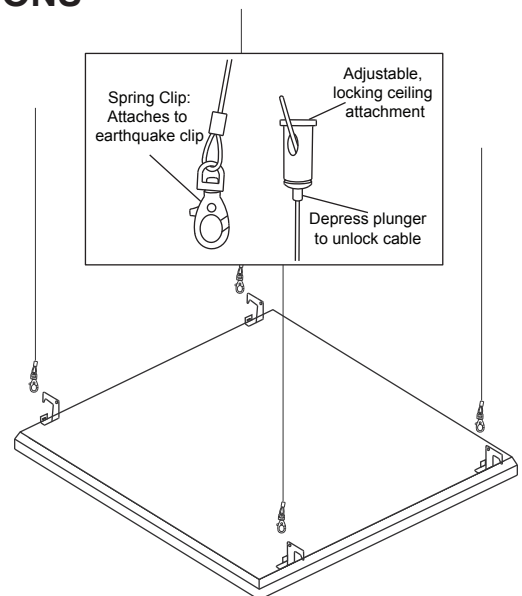


### INSTALLATION INSTRUCTIONS

#### Suspended Installation

(Recommend to use LPA-CMK cable mounting kit - Sold separately)

1. Drill (4 or 6) small holes in the ceiling surface depending the size of the model.
2. Install (4 or 6) plastic anchors into holes and (4 or 6) cable locks to plastic anchors using metal screws. (not included)
3. Place FPV-A lens face down on flat surface and remove driver housing cover and set aside.
4. Knock out appropriate knock-outs on junction box.
5. Locate the (4 or 6) earthquake hooks on panel and pull tabs upright and twist out.
6. Connect the support cables to the earthquake hooks.



# FPV-A

## Installation Instructions



### Wiring Connections

Connect power cord to 120VAC outlet.

For 240VAC or 277VAC inputs consult a qualified electrician.

#### If fixture must be re-wired:

Electrical connections should be made inside driver housing.

- a. Remove screw and open cover.
- b. Connect the line fixture lead to the black supply lead.
- c. Connect the common fixture lead to the white supply lead
- d. Connect the ground lead from the service to the green grounding screw or to the ground lead coming from the housing.
- e. If dimming wires are not used, make sure they are capped.
- f. Close cover and secure with the screw.

This fixture auto adjusts for voltages between 120VAC - 277VAC.

### OPERATION

The FPV-A requires no special handling, power on or power cycle requirements. We recommend routine inspections to visually verify the fixture is on and emitting light. Refer to the troubleshooting guide for any unit not functioning correctly.

### TROUBLESHOOTING

If the FPV-A does not turn on:

1. Check incoming voltage to the LED driver. Must be at least a minimum of 120VAC and not to exceed 277VAC.
2. If all LEDs on the engine are off, LED driver may be disconnected. Ensure driver(s) are secure.  
If secure, use voltmeter to check voltage is present at the output of the power supply. If low or no voltage, consult factory.
3. If some, but not all LEDs are working consult factory for additional technical support.  
Please have the catalog number and photos available when contacting technical support.